

10

9

8

7

6

5

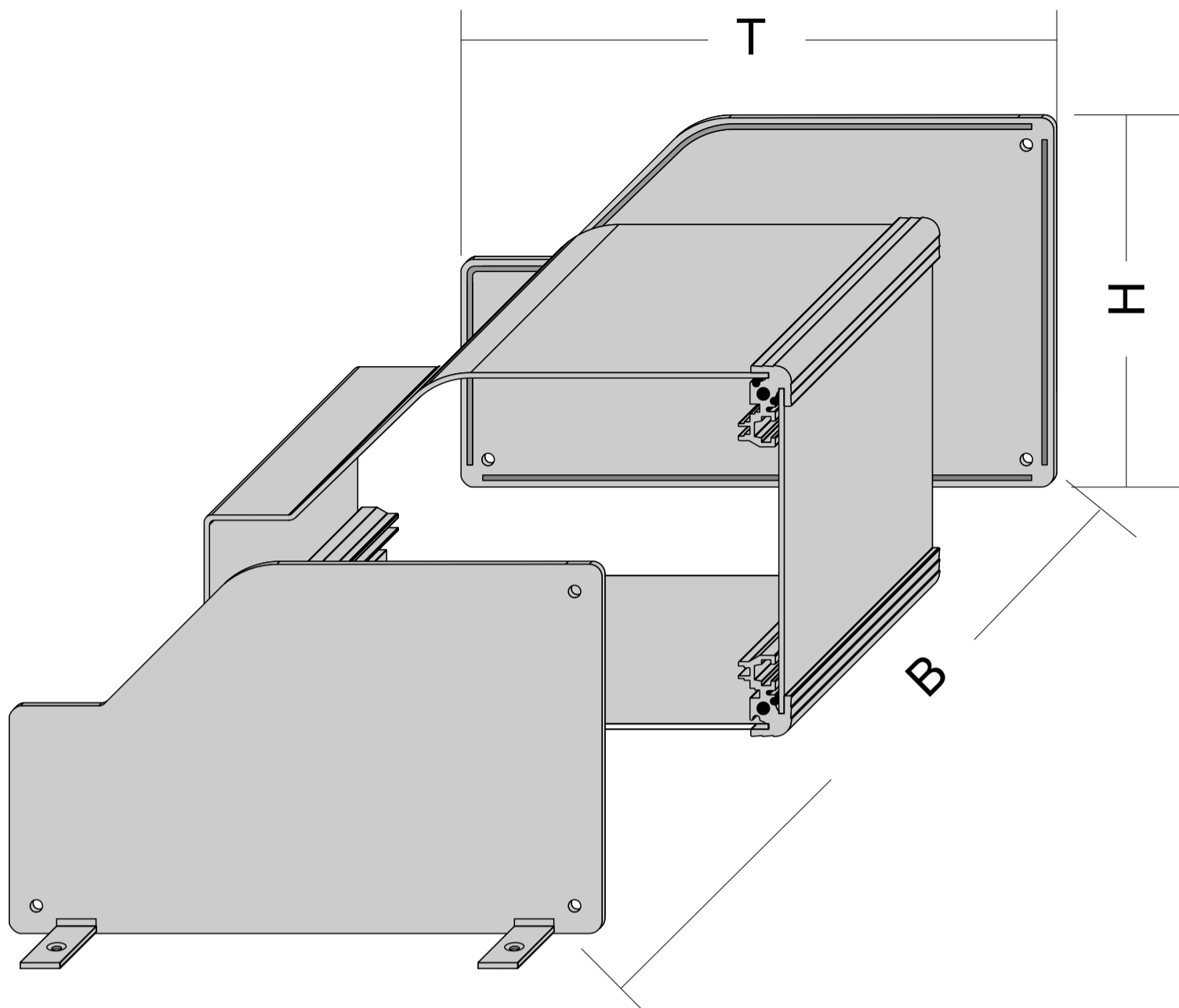
4

3

2

1

RICHARD WÖHR GMBH



www.Prioline.com

© 2002-2007 Richard Wöhr GmbH Gräfenau 58-60 D-75339 Höfen/Enz
Tel: +49(0)781-9540-0 Fax: +49(0)7081-9540-90 Email: Prioline@WoehrGmbH.de

Unifilar drawing **PRIOLine** wall enclosure type XVII

1/2

10

9

8

7

6

5

4

3

2

1

10

9

8

7

6

5

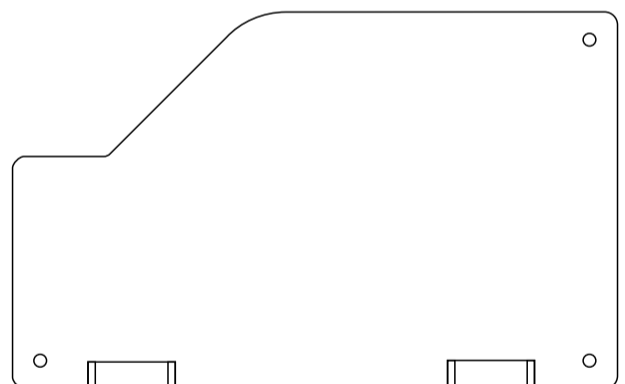
4

3

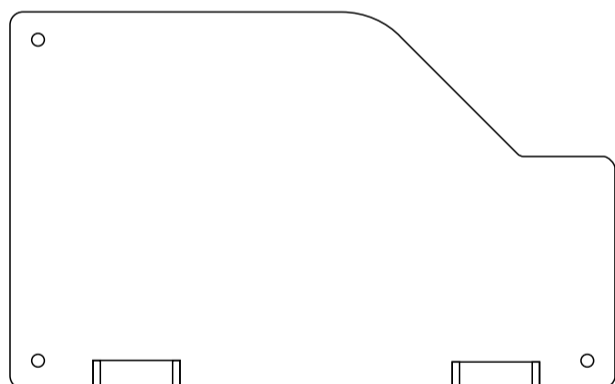
2

1

Side panel right



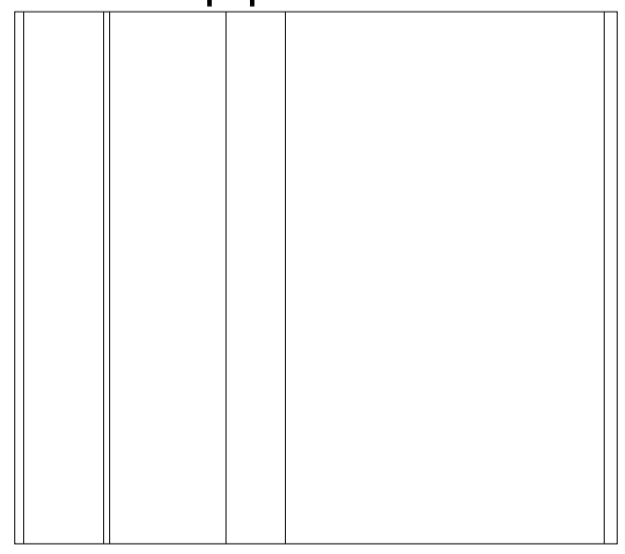
Side panel left



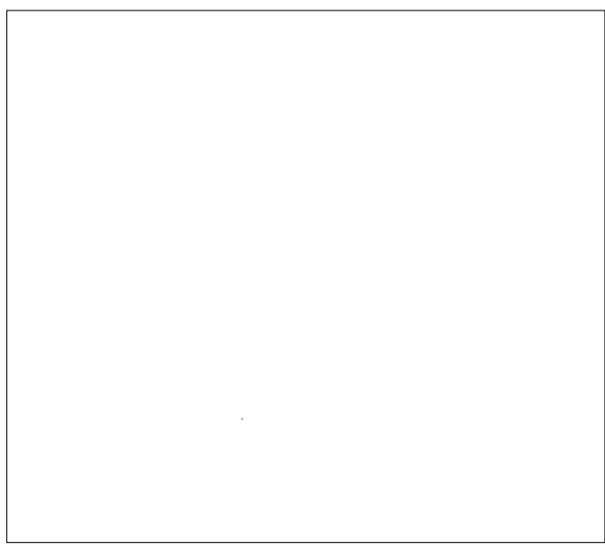
RICHARD WÖHR GMBH



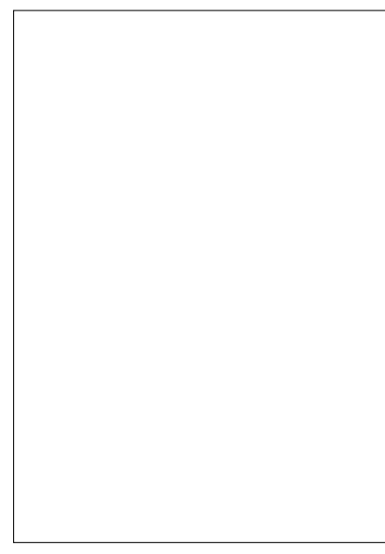
Top panel / cover



Base panel / bottom



Back panel



Please specify your desired mechanical treatment and return this sheet with your inquiry / order. Please also do not forget to specify your desired surface treatment.

- e.g. anodized in natural color (cut edges blank)
- electrically conductive chromated, front side varnished in RAL 7035 structure
- _____

Unifilar drawing **PRIOLine** wall enclosure type XVII

2/2

10

9

8

7

6

5

4

3

2

1