

10

9

8

7

6

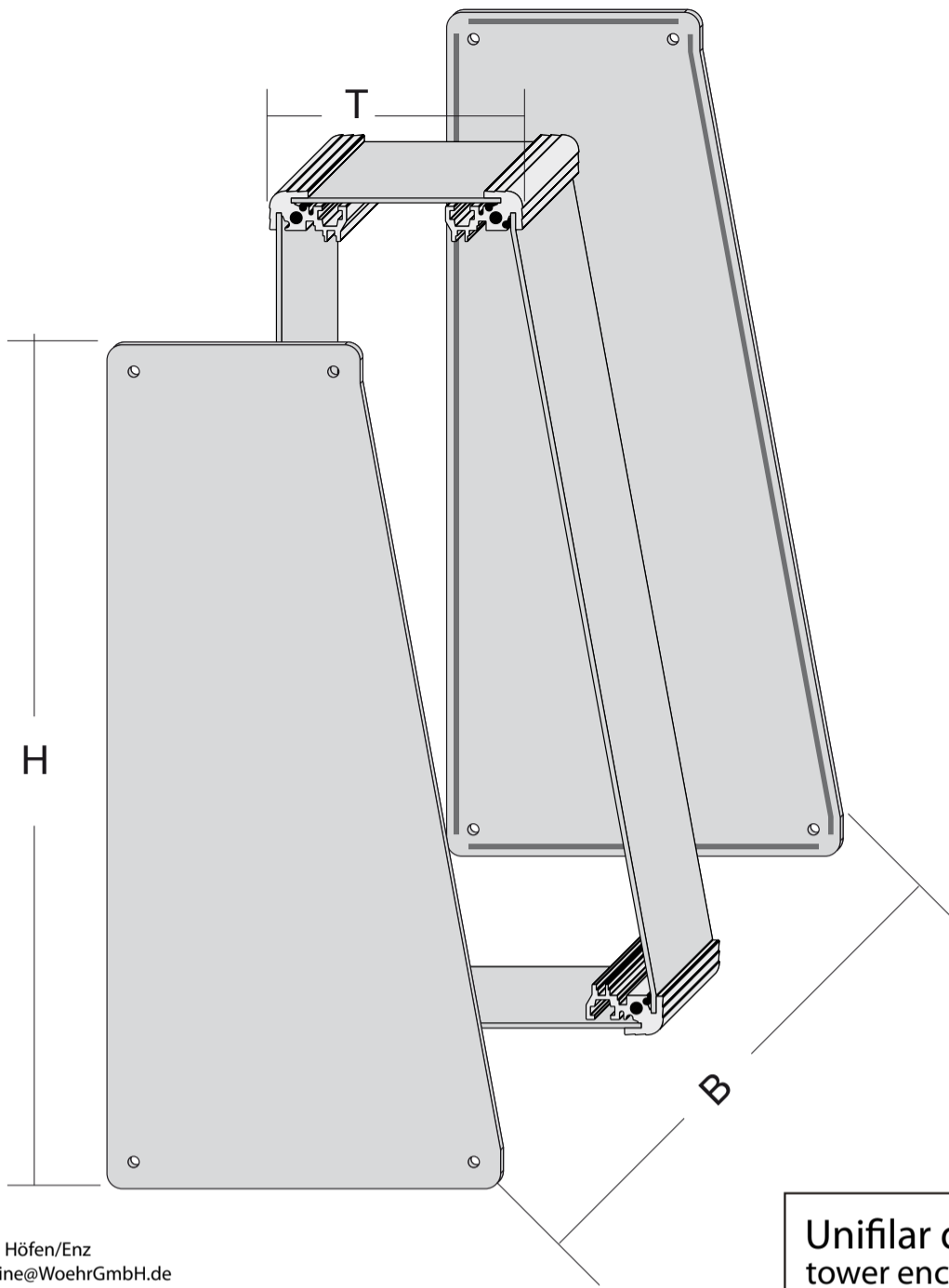
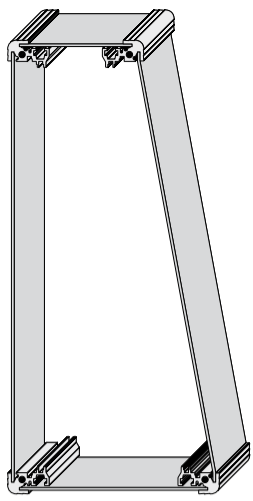
5

4

3

2

1



www.Prioline.com

© 2002-2007 Richard Wöhr GmbH Gräfenau 58-60 D-75339 Höfen/Enz
 Tel: +49(0)781-9540-0 Fax: +49(0)7081-9540-90 Email: Prioline@WoehrGmbH.de

Unifilar drawing **PRIOLINE**
 tower enclosure type II

1/2

10

9

8

7

6

5

4

3

2

1

10

9

8

7

6

5

4

3

2

1

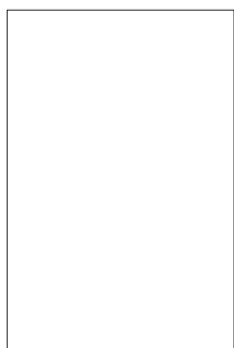
Side panel right



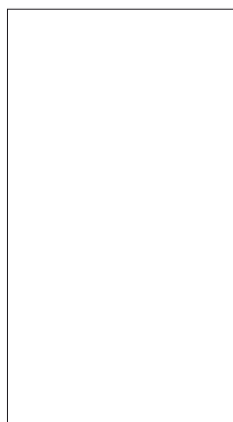
Side panel left



Top panel above



Base panel / bottom



Front panel



Back panel



Please specify your desired mechanical treatment and return this sheet with your inquiry / order. Please also do not forget to specify your desired surface treatment.

- e.g. anodized in natural color (cut edges blank)
- electrically conductive chromated, front side varnished in RAL 7035 structure
- _____

Unifilar drawing **PRIOLINE**
 tower enclosure type II

2/2

10

9

8

7

6

5

4

3

2

1