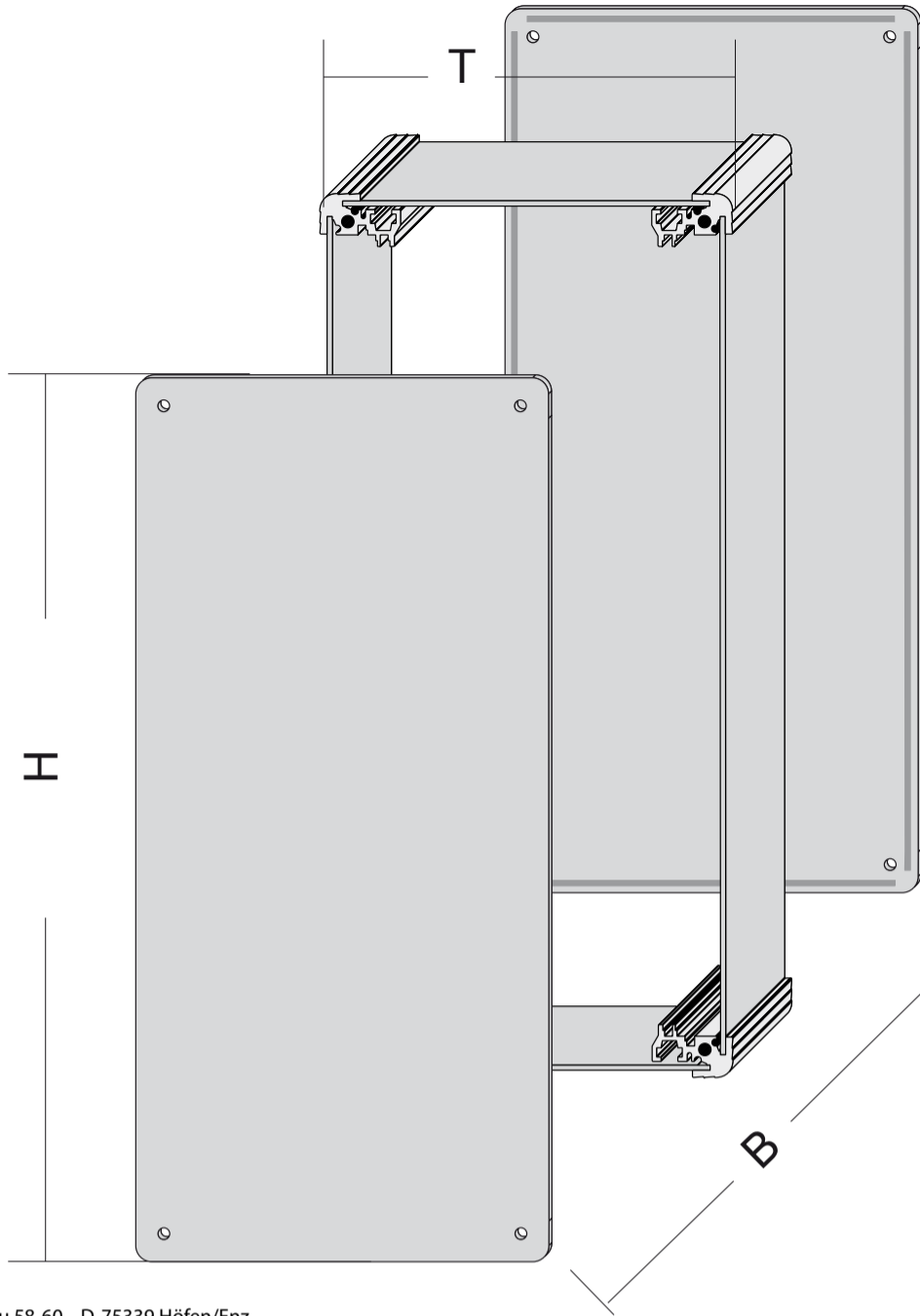
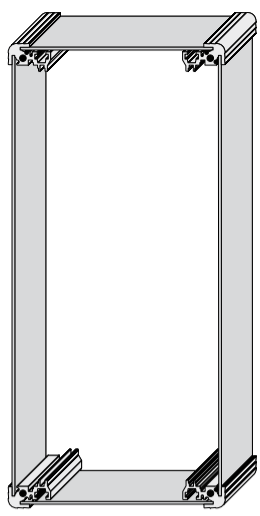


10 9 8 7 6 5 4 3 2 1

G
F
E
D
C
B
A



www.Prioline.com

© 2002-2007 Richard Wöhr GmbH Gräfenau 58-60 D-75339 Höfen/Enz
Tel: +49(0)781-9540-0 Fax: +49(0)7081-9540-90 Email: Prioline@WoehrGmbH.de

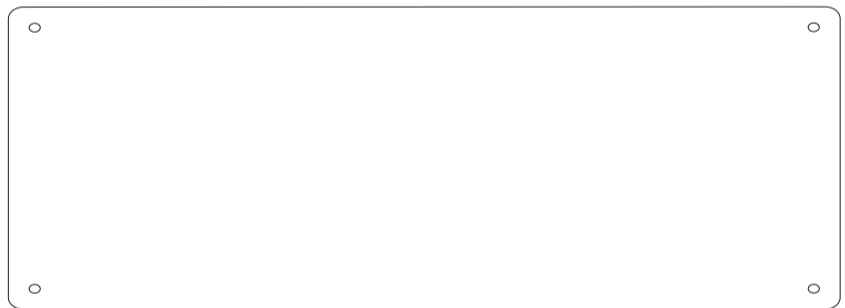
Unifilar drawing **PRIOLine**
tower enclosure type I

1/2

10 9 8 7 6 5 4 3 2 1

G
F
E
D
C
B
A

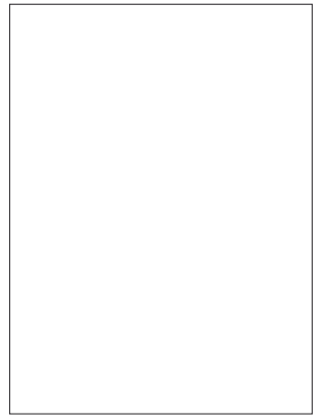
Side panel right



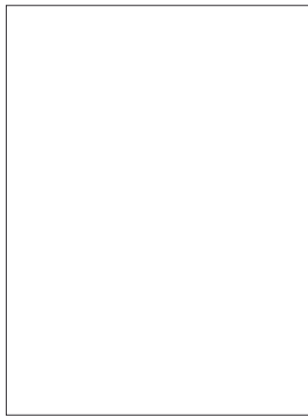
Side panel left



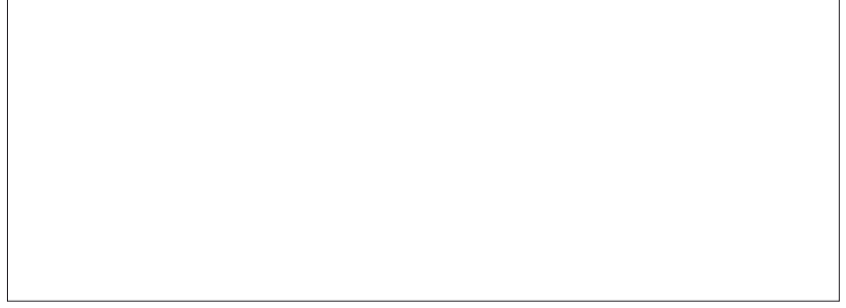
Top panel above



Base panel / bottom



Front panel



Back panel



Please specify your desired mechanical treatment and return this sheet with your inquiry / order. Please also do not forget to specify your desired surface treatment.

- e.g. anodized in natural color (cut edges blank)
- electrically conductive chromated, front side varnished in RAL 7035 structure
- _____

Unifilar drawing **PRIOLine**
tower enclosure type I

2/2

10 9 8 7 6 5 4 3 2 1