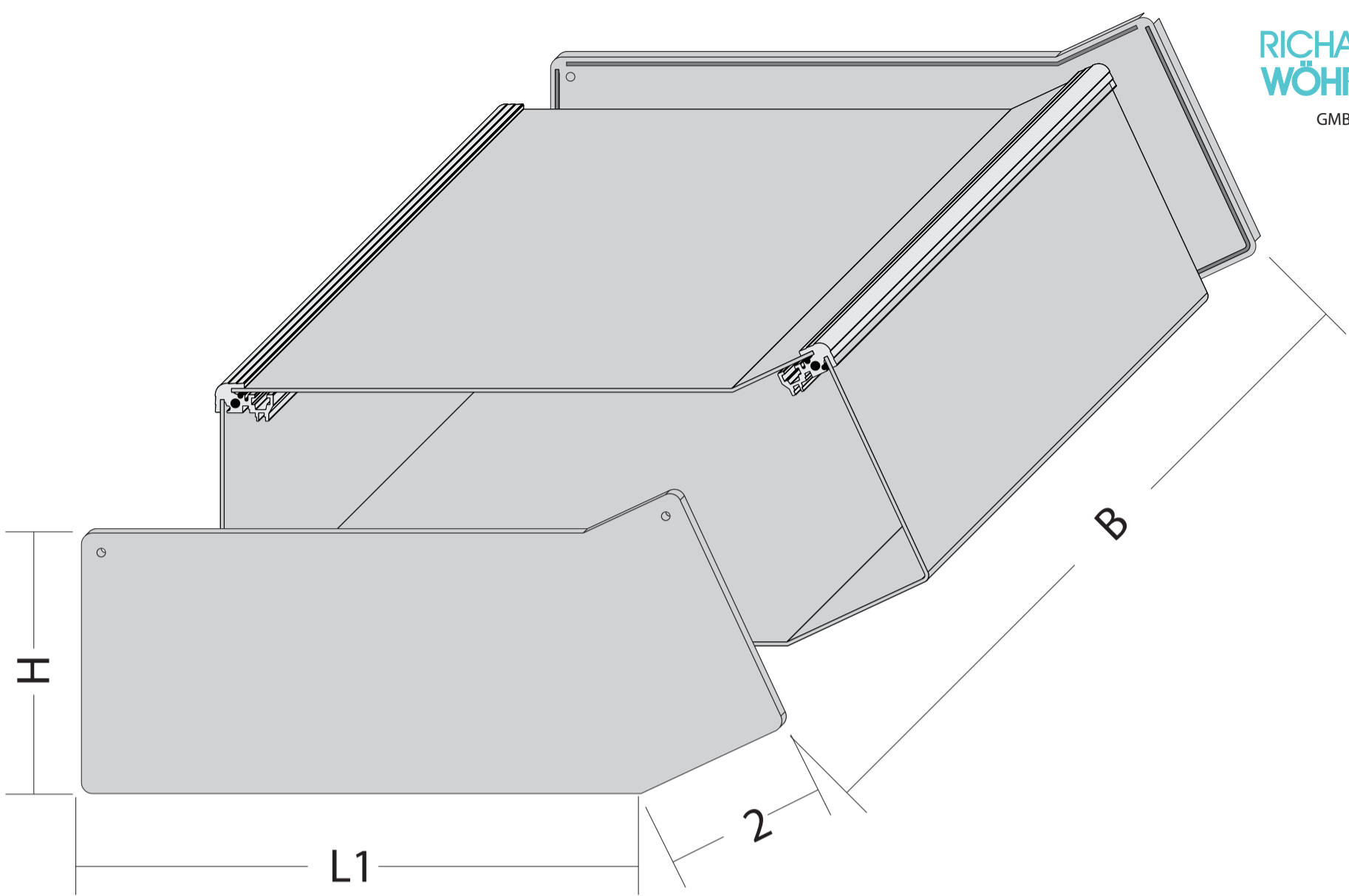


10 9 8 7 6 5 4 3 2 1

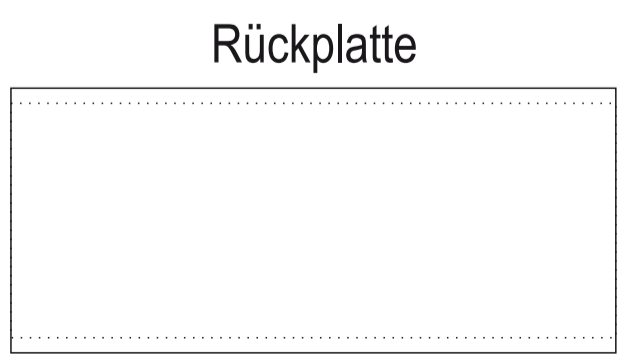
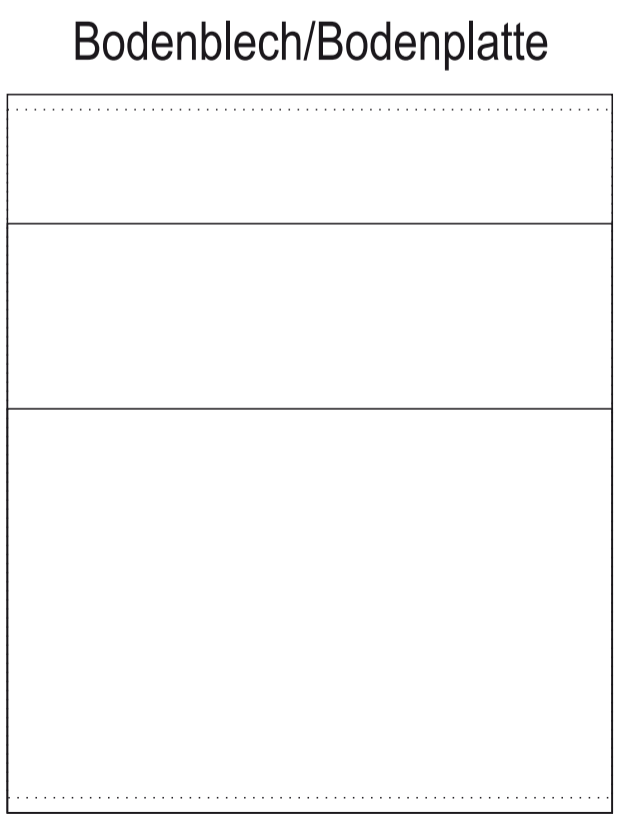
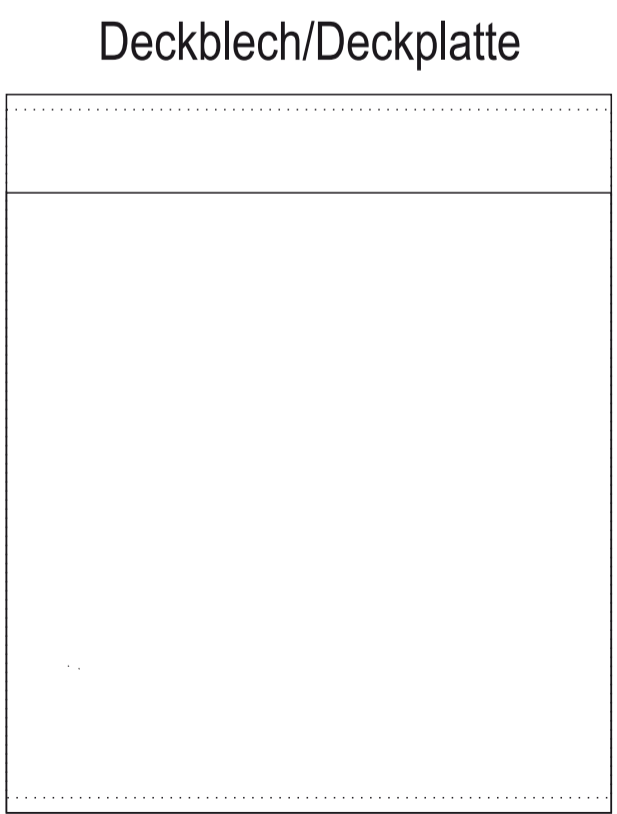
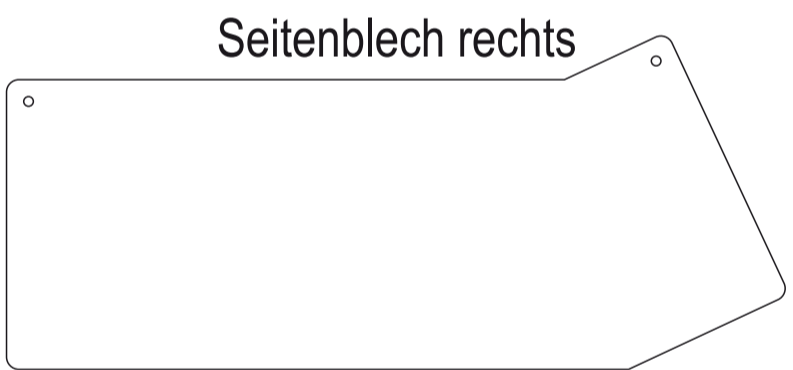


www.Prioline.com

© 2002-2007 Richard Wöhr GmbH Gräfenau 58-60 D-75339 Höfen/Enz
Tel: +49(0)7081-9540-0 Fax: +49(0)7081-9540-90 Email: Prioline@WoehrGmbH.de

Unifilar drawing PRIO line
desktop enclosure type XIV 1/2

10 9 8 7 6 5 4 3 2 1



www.Prioline.de

Please specify your desired mechanical treatment and return this sheet with your inquiry / oder.
Please also do not forget to specify your desired surface treatment.

- e.g. natural anodized (cut edge blank)
- chromated, front side vernished in RAL 7035 structure
- _____

Unifilar drawing PRIOline
desktop enclosure type XIV 2/2

10 9 8 7 6 5 4 3 2 1