

**RICHARD
WÖHR**
GMBH

www.Prioline.com

Unifilar drawing **PRIOLINE**
desktop enclosures type IV **1/2**

© 2002-2007 Richard Wöhr GmbH Gräfenau 58-60 D-75339 Höfen/Enz
Tel: +49(0)7081-9540-0 Fax: +49(0)7081-9540-90 Email: Prioline@WoehrGmbH.de

10

9

8

7

6

5

4

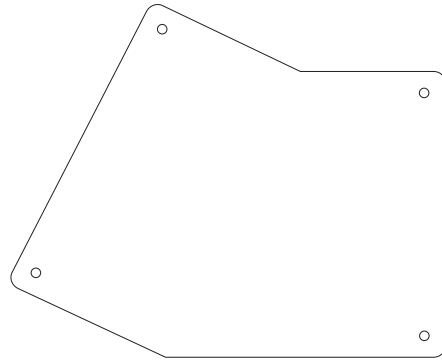
3

2

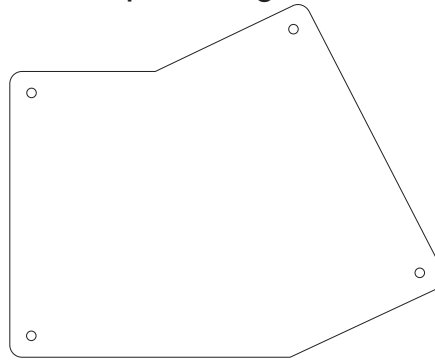
1

G

Side panel left



Side panel right



**RICHARD
WÖHR**
GMBH



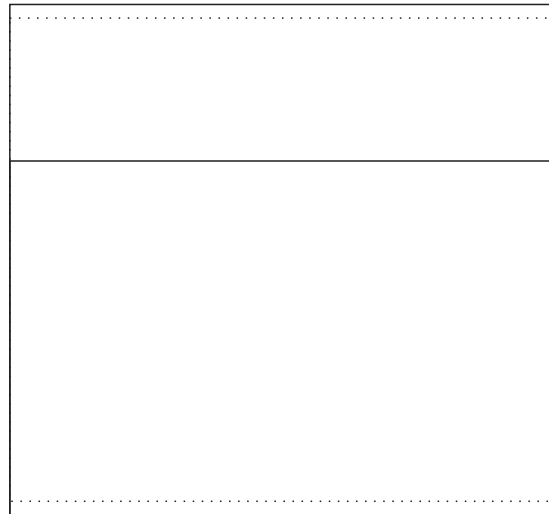
upper cover plate



F

E

Back panel



Front panel



base part plate



D

C

B

A

www.Prioline.com

Please specify your desired mechanical treatment
and return this sheet with your inquiry / order.
Please also do not forget to specify your desired surface treatment.

- e.g. anodized in natural color (cut edges blank)
 electrically conductive chromated,
front side varnished in RAL 7035 structure

Unifilar drawing **PRIOLine**
desktop enclosures type IV

2/2

10

9

8

7

6

5

4

3

2

1

A