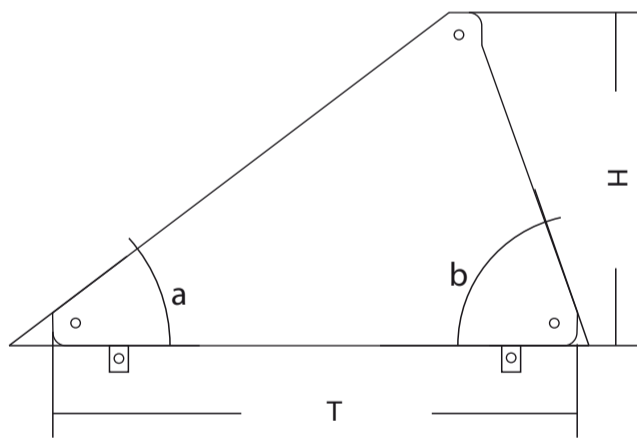
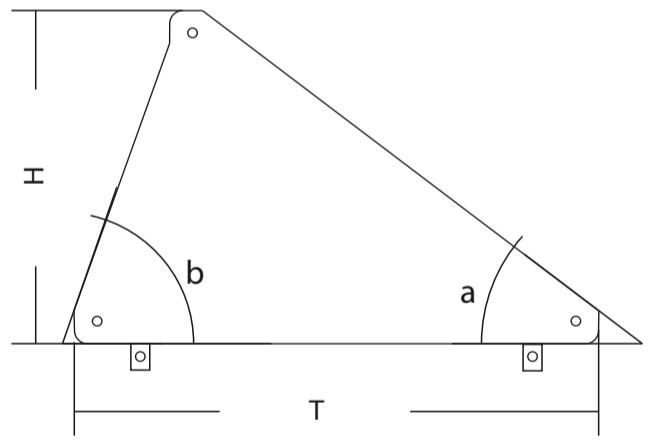


© 2002-2007 Richard Wöhr GmbH Gräfenau 58-60 D-75339 Höfen/Enz
Tel: +49(0)781-9540-0 Fax: +49(0)7081-9540-90 Email: Prioline@WoehrGmbH.de

Unifilar drawing **PRIOLine**
triangular enclosure type II 1/2

Side panel left

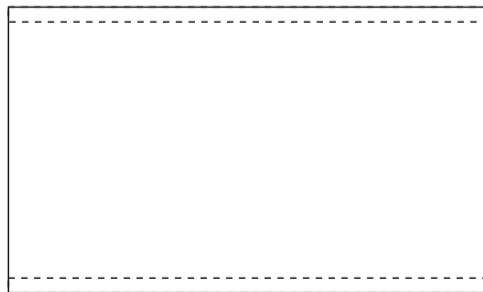
Side panel right



Front panel

Base panel / bottom

Back panel



Please specify your desired mechanical treatment and return this sheet with your inquiry / order. Please also do not forget to specify your desired surface treatment.

- e.g. anodized in natural color (cut edges blank)
- electrically conductive chromated, front side varnished in RAL 7035 structure
- _____

Unifilar drawing **PRIOLine**
triangular enclosure type II 2/2